

CIRCULAR: EHS Safety Alert /IO/02/13

Fatal Accident While Working on Unguarded Circular Table Saw Machine

A fatal accident had occurred recently, wherein the worker died due to deep laceration of his neck.

During our investigations, it was revealed that the deceased who was working on the Circular Table Saw Machine for cutting of aluminum profiles was not fitted with Safety Guard and Dust Extraction system. Indeed, he was wearing the Hand Gloves Safety Goggle, Face Mask and covering his head, face & neck with piece of long cloth (scarf) in order to protect him from aluminum dust/bits ejected from the table saw. Unfortunately, the loose end of cloth (scarf) got entangled with the rotating blade of the motorized table saw machine and resulted in laceration of his own neck.

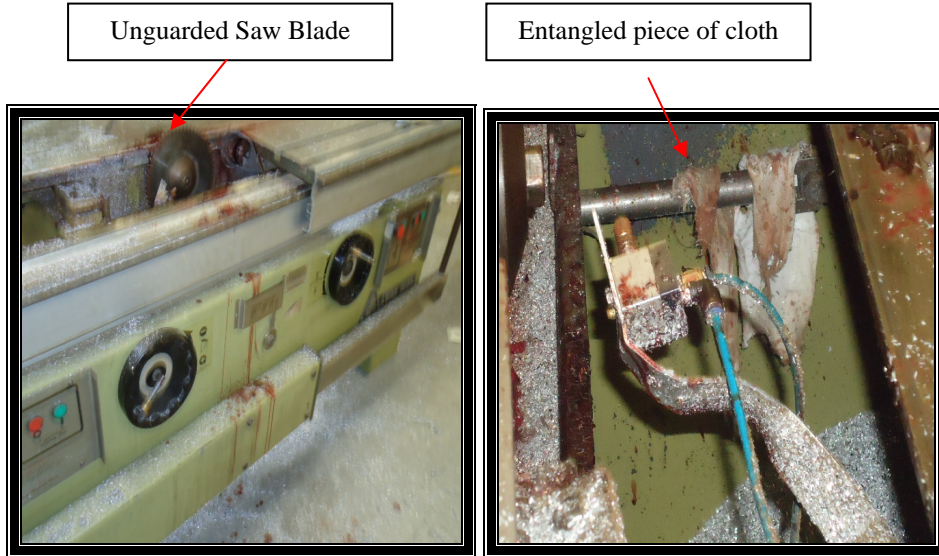


Figure A: Accident Machine Photo

Please find below EHS requirements that needs to be adhere at all times, while working on the Table Saw:

1. All workers/operator involved in the use/operation of Table Saw machine shall be trained/informed on the hazards associated with the circular table saw operations. Only authorized, skilled, trained and experienced personnel shall be allowed to operate & work on the Table Saw.
2. Suitable Top Safety Guard and Riving Knife must be fitted with all Table Saw machine.
3. A local Exhaust Ventilation (LEV)/extraction system to collect/control the dust/splinters/chips/shavings etc. must be fitted both above and below the Table Saw.
4. Appropriate Personal Protective Equipment (PPE) such as Eye Protection, Dust Mask, Hearing Protection and Safety Shoes are mandatory.

5. Hand Gloves, Rings, Watch, Jewelry & Loose Clothes must not be worn. Long Hair must be contained.

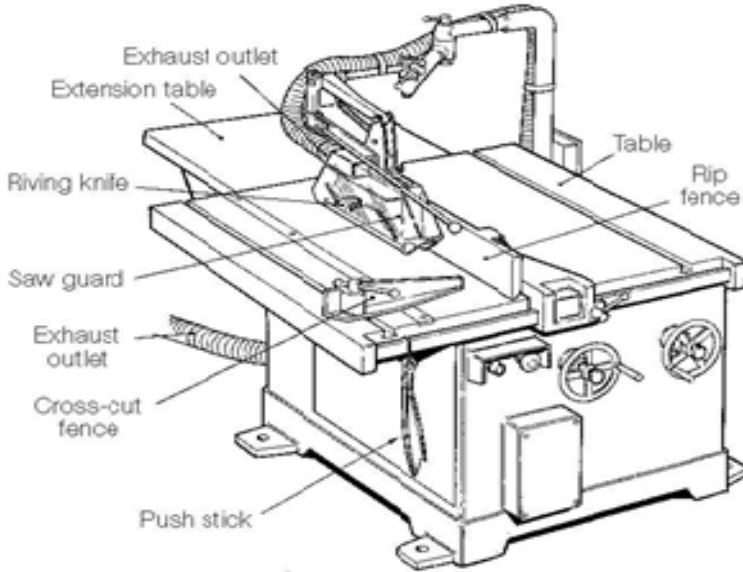


Figure B: Typical Circular Table Saw Machine Diagram

6. Kickback from the work-piece may cause a serious or even fatal accident. Therefore, a Push-stick of at least 450 mm length with a “Bird’s Mouth” should always be used when cutting any piece of less than 300 mm in length or when feeding the last 300 mm of a longer piece.

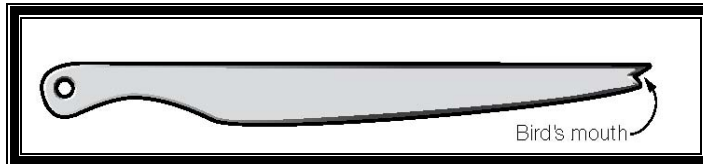


Figure C: Push-Stick

For any further information/clarification on above you may please call G.K.Singh, Manager Industrial Operations on Tel. 04-8811881 or send an email on EHS.FZIndop@trakhees.ae

Engr. Madiha Salem
Director
Environment, Health & Safety- Trakhees
Ports, Customs & Free Zone Corporations